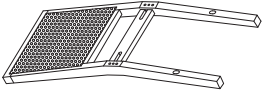
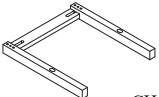



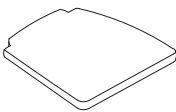






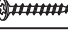
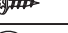
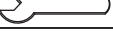



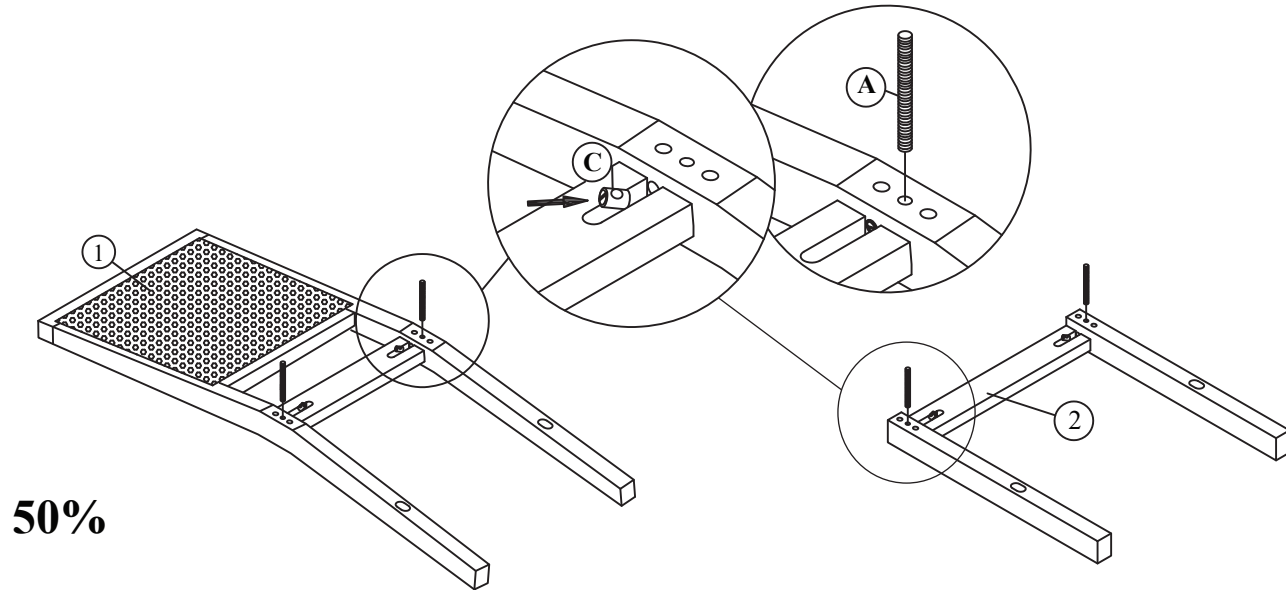
ASSEMBLY INSTRUCTION

ITEM : Oak-DC-2PK

NO.	PARTLIST	QTY
1	 CHAIR BACK	1PC
2	 CHAIR FRONT	1PC
3	 SIDE RAIL	2PCS
4	 LEFT BOTTOM RAIL	1PC
5	 RIGHT BOTTOM RAIL	1PC
6	 SEAT	1PC
NO.	HARDWARE	QTY
A	 BOLT M6 X 80	4PCS
B	 HALF MOON PAD 29 X 12 X 8	4PCS
C	 NUT M10 X 20	4PCS
D	 WOODEN DOWEL	8PCS
E	 L SHAPE IRON	4PCS
F	 NUT M10 X 16	4PCS
G	 SCREW M3.5 X 40	4PCS
H	 SCREW M3.5 X 14	8PCS
I	 WRENCH	1PC
J	 FELT MA	4PCS

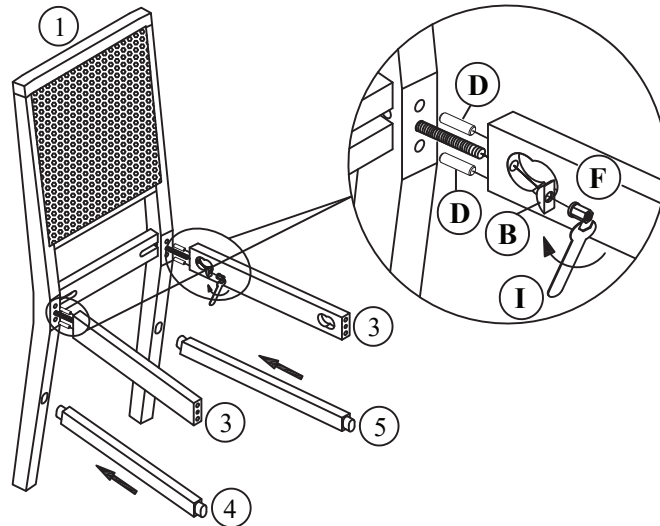
STEP 1

Insert bolt (A) into chair back (1) and chair front (2), then screw them by nut (C), 50% only.



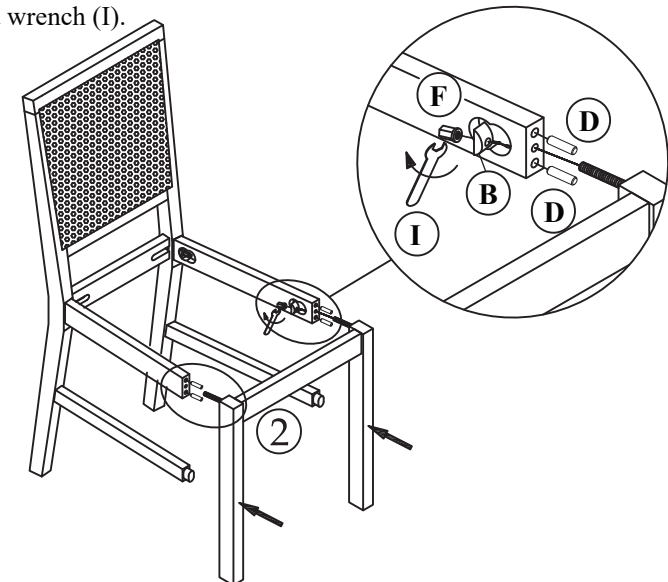
STEP 2

Insert dowel (D) into chair back (1), then connect side rail (3) by half moon pad (B), nut (F) and wrench (I), Insert left/right bottom rail (4)&(5) to chair back(1).



STEP 3

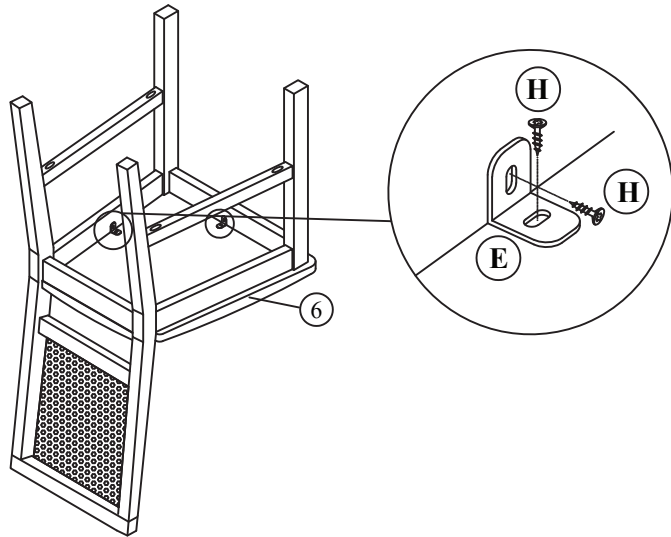
Insert left/right bottom rail (4)&(5) to chair front (2). Insert dowel (D) into chair front (2), then connect side rail (3) by half moon pad (B), nut (F) and wrench (I).



ASSEMBLY INSTRUCTION

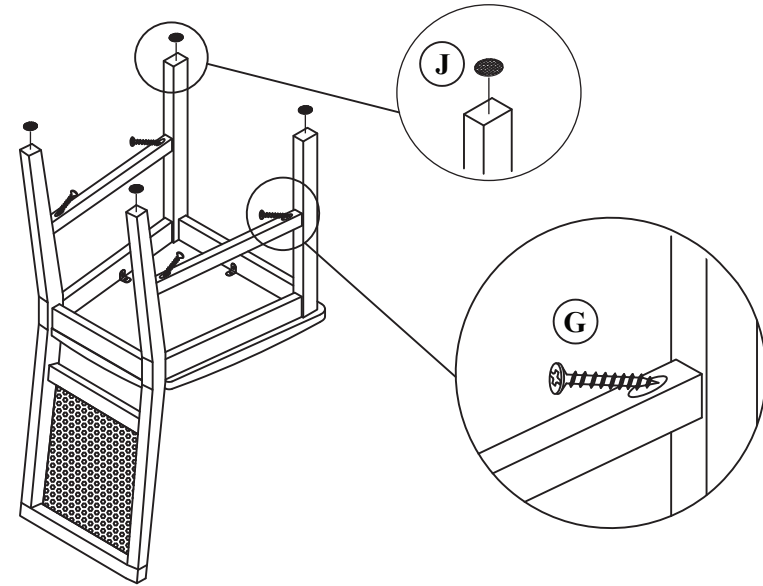
STEP 4

Turn chair bottom up, screw L shape iron (E) by screw (H).



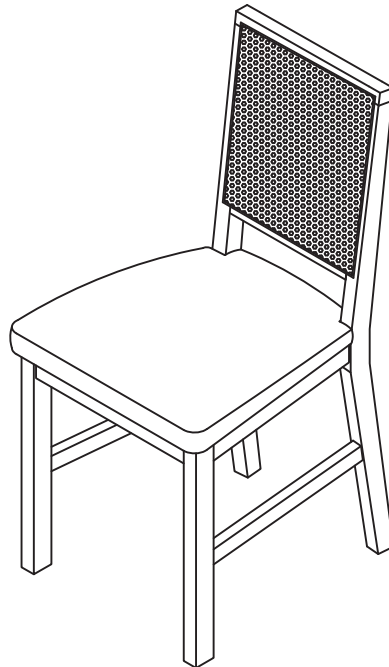
STEP 5

Screw left/right bottom rail (4)/(5) by screw (G). Add felt pad (J) on leg bottom.



STEP 6

Turn chair.



ASSEMBLY COMPLETED

NOTE : AFTER A FEW DAYS OF ASSEMBLY. IT WILL HAVE ACCLIMATIZED TO THE ENVIRONMENT. PLEASE TIGHTEN ALL HARDWARE. CHECK TIGHTNESS OF ALL SCREWS EVERY 6 - 8 WEEKS.